

POWERMETER EPR-04 / EPR-04S

TECHNICAL DATA

Operating Voltage (Un)	: Please look at the back labels on the device
Operating frequency (f)	: 45-65 Hz
Auxiliary supply Power Consumption	: < 4 VA
Measuring Input Power Consumption	: < 1VA
V_{in}	: 10-300VAC 45-65Hz. (L-N) : 10-500VAC 45-65Hz. (L-L)
I_{in}	: 0.05 - 5.5 A~ : 2-120 A ~ (for CT-25)
Measuring Range	: 0...215 M(W,VAr,VA) : 999999999.999 kWh,kVArh
Measuring Category	: CAT III
Class	: 1±1digit [(%10-%110) xFull Scale]
Voltage Transformer Ratio	: 0.1 ... 4000.0
Current Transformer Ratio	: 1 ... 2000
Max. Ctr x Vtr	: 40,000
Demand Time	: 1-60 min. (programmable)
Serial Interface (for EPM-04S)	: MODBUS RTU (RS 485) : Optically Isolated, programmable
Baud Rate (for EPM-04S)	: 2400-38400 bps
Address (for EPM-04S)	: 1-247
Parity (for EPM-04S)	: No , odd, Even, 8 Data Bits, 2 Stop Bits
Pulse Output	: NPN Transistor
Switch Period	: Min. 100 msec pulse period : 80 msec pulse width
Operation Current	: Max. 50 mA
Operation Voltage	: 5...24 V DC, max. 30 VDC
Input	: 12...48 V DC
Ambient Temperature	: -5°C; +50°C
Display	: Red LED Display
Dimensions	: PR-19, PK-26
Equipment Protection Class	: Double Insulation-Class II (□)
Box Protection Class	: IP 40
Box Material	: Non-flammable
Installation	: Panel Mounted (PR-19) : Rail Mounted (PK-26)
Wire Crosssection (for terminal block)	: 2.5 mm ²
Weight	: 0.45 kg (PR-19, PK-26)
Installation Category	: Class III

Factory Settings

Trafo :	Eng Cnt :
Ctr (Current Transformer Ratio) : 0001	E-1 (Energy Counter 1) : on
trn (Turn number for CT-25 device) : 01	E-2 (Energy Counter 2) : on
Utr (Voltage Transformer Ratio) : 0001.0	
CAL (Calculation Method) : 1	

Pin : 0000 (Not Activated)

RS-485 :

Adr (Address) : 1
Bau (Baud Rate) : 9600
PAr (Parity) : no

PRECAUTIONS FOR INSTALLATION AND SAFE USE

⚠ In CT-25 (120A) compliant models, only CT-25 current transformer must be used. Other type of CT's have a high risk to damage to device.

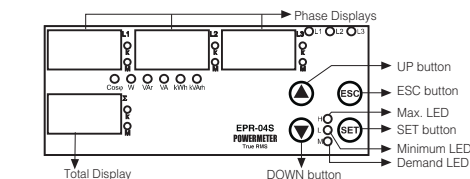
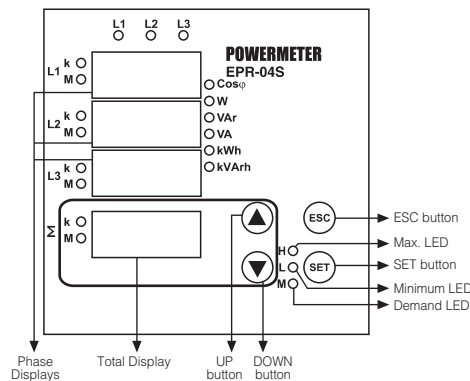
- Failure to follow those instructions will result in death or serious injury.
- Disconnect all power before working on equipment..
 - When the device is connected to the network, do not remove the front panel.
 - Do not try to clean the device with solvent or the like. Only clean with dry cloth.
 - Verify correct terminal connections when wiring.
 - Electrical equipment should be serviced only by your component seller.
 - Only for rack panel mounting.

⚠ No responsibility is assured by the manufacturer or any of its subsidiaries for any consequences arising out of the use of this material.

POWERMETER EPR-04 / EPR-04S

General :

EPR-04/04S is a microprocessor based device which is developed for measuring the power and energy values in an Electrical Network. Measured parameters are displayed in 4 displays separately EPR-04S has an MODBUS serial communication interface.



Using of EPR-04/04S:

Parameters (Cosφ, W, VAr, VA, kWh, kVArh) are monitored in L1, L2, L3 displays by scrolling UP/DOWN buttons. Total Active (ΣW), Total Reactive Power (ΣVAr), Total Apparent Power (ΣVA) and Cosφ values and average values of these parameters are monitored in 4th display.

Digital Input

EPR-04/04S has 2 digital inputs. Digital inputs have 2 functions:
- When a remote device has activated, situation of this device which is connected to the digital input, can be monitored according to data register (Battery, thermostat, circuit breaker and motor position).
- Controlling energy counters and determining which energy counter will be active (Example: It is used for measuring of energy separately at the using of network and generator).

Energy Pulse Outputs

EPR-04/04S has 2 Energy Pulse Outputs. These outputs give the pulses only for E-1 (Energy Counter).

Pu1 and Pu2: In "o-1 (Pulse1)", "o-2 (Pulse2)" menus which are in the pulse menu, device give pulse according to selected energy parameters as [Active energy (ACT, A-1, A-E), Reactive energy (rEA, r-L, r-C)]. Please refer to the pulse menu for the coefficients of energies.

Monitoring of Min., Max. and Max. Demand Values:

Min. and max. values are defined for W, VAr, VA, ΣW, ΣVAr, ΣVA; demand values are defined for W, VAr, VA, ΣW, ΣVA, ΣVAr.
If measured instant value is smaller than min. value which was stored before, it is stored as new min. value. If measured instant value is greater than max. value which was stored before, it is stored as new max. value. Demand value is the average value of the measured values in demand time (15 minute).

If one of defined parameters is displayed (ie. "W") when demand button is pressed min., max or max. demand values are displayed. When an undefined parameter is displayed (ie. "Cosφ") if demand button is pressed, instant value is continued to display.

H-L-M LEDs

H-L-M LEDs are dedicated to displaying the min., max. and max. demand values according to selected parameters.

H: Maximum Value, **L:** Minimum Value, **M:** Max. Demand Value



Calculation Methods for Active / Reactive Power Values

If the led on the most right side blinks it represents that active / reactive power's direction is inverted.

There are two methods for calculating total active and total reactive power:

- 1) Active / Reactive power can be calculated by summing import and export values and displaying as a single value.
- 2) Active / Reactive power can be calculated according to direction as import / export.

Note :

1) The dot at the most right digit of the fourth display (During ΣW is displayed) represents that displayed value is export active power value. Vice versa, displayed value is import active power value.

2) The dot at the most right digit of the fourth display (During ΣVAr is displayed) represents that displayed value is capacitive reactive power value. Vice versa, displayed value is inductive reactive power value.

3) The displayed parameter will not change if power is off after 30 seconds of stand-by (ie. W).

Measured Parameters:

Cosφ	AI (kWh) (Import Active Energy)	ΣW (Total Active Power)
W (Active Power)	AE (kWh) (Export Active Energy)	ΣVAr (Total Reactive Power)
VAr (Reactive Power)	rI (kVArh) (Import Reactive Energy)	ΣVA (Total Apparent Power)
VA (Apparent Power)	rE(kVArh) (Export Reactive Energy)	

FUNCTIONS OF BUTTONS

▲ When W led lights, it shows max. power values which are measured instantaneously and it shows total max demand values. Also it is used for moving upwards in the menu.

▼ When W led lights, it shows min. power values which are measured instantaneously and it shows total demand values. Also it is used for moving downwards in the menu.

SET It is used for passing between parameters such as W, VAr, VA, kWh, kVArh, cosφ. When it is pressed for 3 second, adjustment mode is entered. In the adjustment mode it is used for saving parameters and moving to the sub menu.

ESC In the adjustment mode, it is used for entering to the upper menu or it is used for quitting from the adjustment mode without saving the values.

⚠ If user password is activated and set button is pressed for 3 seconds, a pin code is required in order to enter to the menu.

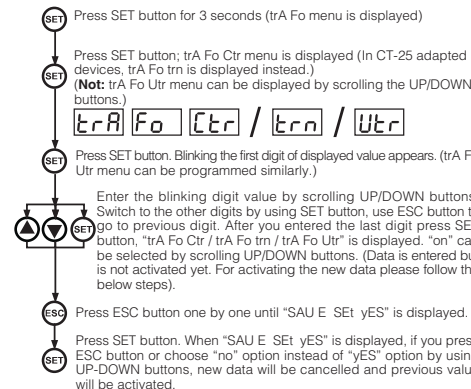
Current Transformer Ratio Setup

trA (This menu is not available in the devices which are adapted with CT-25.)

In this menu, current transformer ratio is set between 1 - 2000.

Note: If the current transformer is not used between the system and EPR-04/04S, current transformer ratio is entered as "1".

Example: If a current transformer which has a ratio of 250/5A is used between the system and EPR-04/04S; Current transformer ratio is entered as "50" (250/5).



POWMETER EPR-04 / EPR-04S

Programming the Turn Number:

This menu is available for CT-25 adapted devices. User enter the turn number, which is the number of how many tour the current cable has rounded into the CT-25. Numbers can be selected between 1-20. Greater the number of turn means greater the sensitivity.

trn	1	2	3	4	5	6	7	8	9	10	11	12	13	14	15	16	17	18	19	20										
In min./A	2.00	1.00	0.66	0.50	0.40	0.33	0.28	0.24	0.22	0.20	0.18	0.16	0.15	0.14	0.13	0.12	0.11	0.11	0.10	0.10										
In max./A	20	60	40	30	24	20	17	15	14	13	12	10	9	10	9	23	8	57	8	00	7	50	7	05	6	66	6	31	6	00

Voltage Transformer Ratio Setup

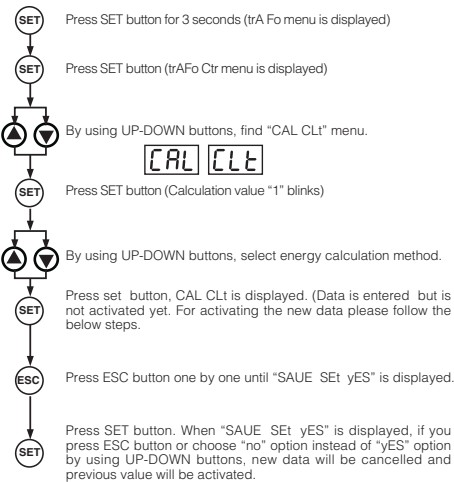
In this menu, voltage transformer ratio is set between 0000,1 - 4000,0.

Note: If the voltage transformer is not used between the system and EPR-04/04S, voltage transformer ratio is entered as '1'.
Example: If a voltage transformer which has a ratio of 34.5KV/100V is used between the system and EPR-04/04S; Voltage transformer ratio is entered as 345. (34500/100)

Reactive Energy Calculation Method Setting

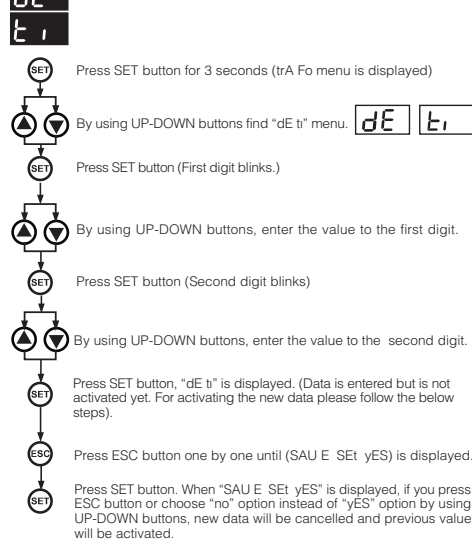
Three different methods exist for reactive energy calculation in EPR-04/04S. Brief informations about these methods are explained in below table.
Related values which must be entered in the menu are also indicated in the table in order to select reactive power calculation method for mechanical and digital energymeters.

Mechanical Energymeter (Vector summation of 3-phases)	Digital Energymeter (Each phase separately)	Reactive Energy (Q)	Description
0	1	90° rotation of voltage vector and multiply with current	It is the most preferred reactive power calculation method.
2	3	Total value of the multiplication of V_n and I_n values up to 19 th harmonics. This calculation method is mostly preferred for network analysers.	
4	5	Power Triangle Methode : According to this method; $Q = S \cdot \sin \phi$ (Q : Reactive power, S : Active power, P : Apparent power)	



Demand Time Setup:

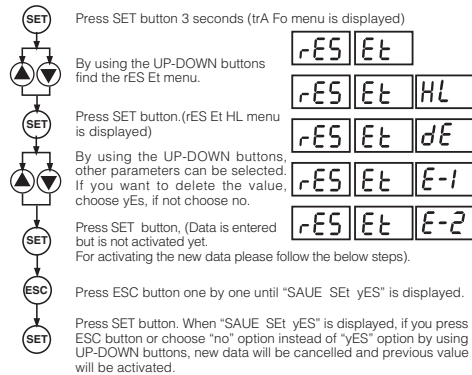
In this menu, demand time is set between 1-60 minutes.



Monitoring and Erasing of minimum and maximum values:

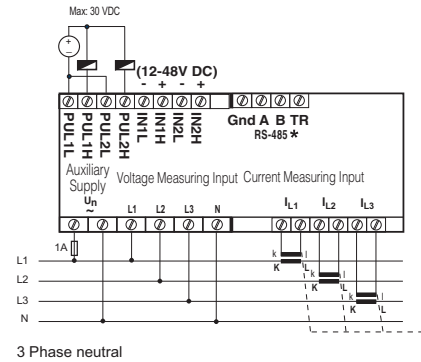
In this menu, values of min., max., demand or energymeter's are erased. It saves the instantaneously measured min. and max. values of EPR-04/04S into its memory. Please kindly look at to the section of **FUNCTIONS OF BUTTONS** for min. and max. values.

Note: Measured electrical parameters which are saved to the memory are not affected from the electric interruptions. In the rES Et E-1 / E-2 menu; when you choose yES and quit from all menus, if you confirm the changes, min. and max. values of all parameters or values of energymeters are erased at the same time. **Follow the below steps in order to erasing the values of min., max., E-1 and E-2;** In the measurement position.

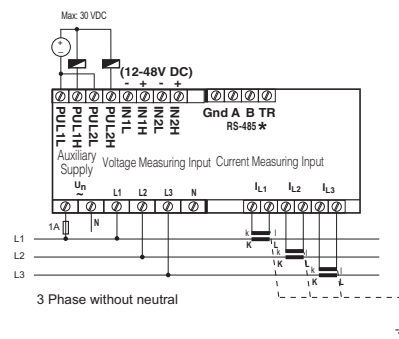


POWMETER EPR-04 / EPR-04S

PK 26 Box Connection Diagram



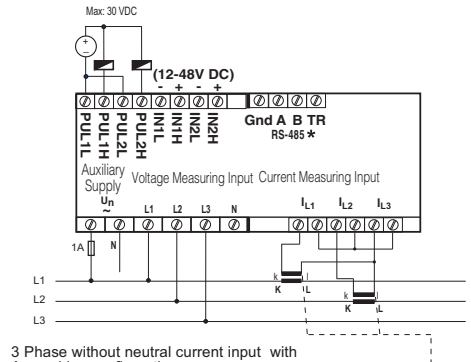
3 Phase neutral



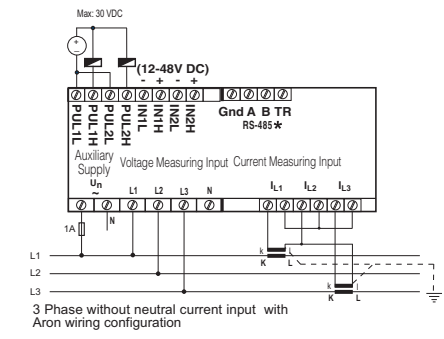
3 Phase without neutral

*Available only for EPR-04S

Note: For CT-25 models:
k: When CT-25 is used, Red cable is connected to k terminal.
l: When CT-25 is used, Black cable is connected to l terminal.



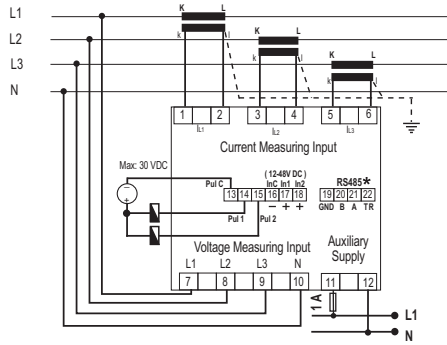
3 Phase without neutral current input with Aron wiring configuration



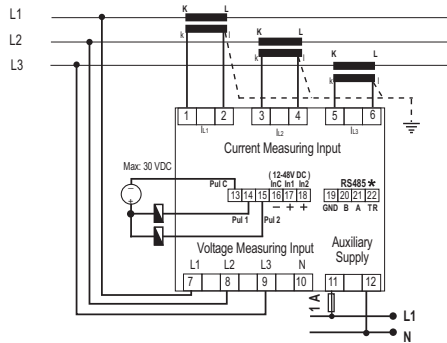
3 Phase without neutral current input with Aron wiring configuration

POWMETER EPR-04 / EPR-04S

PR 19 Box Connection Diagram



3 Phase neutral

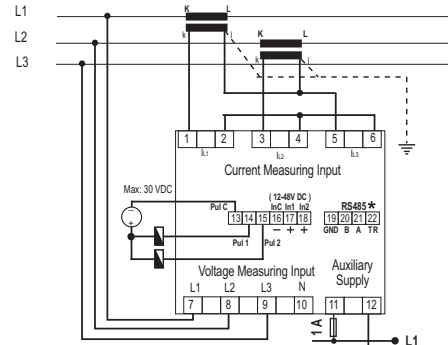


3 Phase without neutral

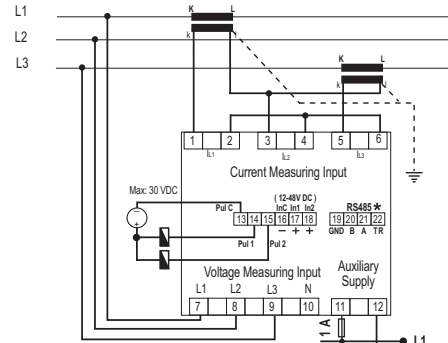
*Available only for EPR-04S

Note: For CT-25 models:

k: When CT-25 is used, Red cable is connected to k terminal.
l: When CT-25 is used, Black cable is connected to l terminal.



3 Phase without neutral current input with Aron wiring configuration



3 Phase without neutral current input with Aron wiring configuration

POWMETER EPR-04 / EPR-04S

Pulse Menu

PUL In this menu, three parameters can be selected: "PUL SE rAt", "PUL SE o-1", "PUL SE o-2".
SE **PUL SE rAt** **io**: Pulse ratio can be set as: 1, 10, 100 (wh/VArh/kVA); 1, 10, 100 (kwh/kVArh/kVA); 1 Mwh/MVArh/MVA.

PUL SE o-1: If this parameter is selected, in every increase in output 1, one pulse is counted. Output 1 parameter can be set as: ACt (Export/Import), A-I (Active Import), A-E (Active Export), rEA (Inductive / Capacitive), r-L (Reactive Inductive), r-C (Reactive Capacitive).

PUL SE o-2: If this parameter is selected, in every increase in output 2, one pulse is counted. Output 2 parameter can be set as: ACt (Export/Import), A-I (Active Import), A-E (Active Export), rEA (Inductive / Capacitive), r-L (Reactive Inductive), r-C (Reactive Capacitive).

- Press SET button for 3 seconds (trA Fo menu is displayed)
- By using UP-DOWN buttons, find "PULSE" menu.
- Press SET button ("PUL SE rAt" menu is displayed)
- By using UP-DOWN buttons, select "PUL SE rAt", "PUL SE o-1" or "PUL SE o-2".
- Press SET button. **PUL SE**
- By using UP-DOWN buttons, type the required value for selected parameter.
- Press SET button, (Data is entered but is not activated yet. For activating the new data please follow the below steps).
- Press ESC button one by one until "SAU E SEt yES" is displayed.
- Press SET button. When "SAU E SEt yES" is displayed, if you press ESC button or choose "no" option instead of "yES" option by using UP-DOWN buttons, new data will be cancelled and previous value will be activated.

Energy Counter (Eng Cnt) Menu

Eng EPR-04/04S has 2 energy counters:
Cnt Energy counter 1 (E-1), Energy counter 2 (E-2).
E-1 / E-2 have 4 parameters:

on: Activate "E-1 / E-2" counters for energy counting without depending on any parameter.

r-1: Activate "E-1 / E-2" counters, when digital input 1 is on (=1).

r-2: Activate "E-1 / E-2" counters, when digital input 2 is on (=1).

E-2: "E-1" does not count when "E-2" is activated. (Only for "E-1")

E-1: "E-2" does not count when "E-1" is activated. (Only for "E-2")

Note: Counting status is undefined if E-2 is selected on E-1 and if E-1 is selected on E-2.
When the status is defined as above, both energy counters count while digital input is not on (=1), but if either one or both digital inputs are on (=1) then counters will not count.

- Press SET button for 3 seconds (trA Fo menu is displayed)
- By using UP-DOWN buttons, find "Eng Cnt" menu.
- Press SET button ("Eng Cnt E-1" menu is displayed)
- By using UP-DOWN buttons, select "E-1" or "E-2".
- Press SET button. **Eng Cnt**
- By using UP-DOWN buttons, select "on", "r-1", "r-2" or "E-1 / E-2".
- Press SET button, (Data is entered but is not activated yet. For activating the new data please follow the below steps).
- Press ESC button one by one until "SAU E SEt yES" is displayed.
- Press SET button. When "SAU E SEt yES" is displayed, if you press ESC button or choose "no" option instead of "yES" option by using UP-DOWN buttons, new data will be cancelled and previous value will be activated.

User password Setup:

Pin In this menu user password is defined and activated.
You must define and activate a 4 digit user password for preventing device settings from the illegal usage.
There are 2 sub menu under the Pin menu.

Changing of User Password:

This menu is used for changing the user password.
Note: Factory default value for user password is "0000"

- For changing the user password, In the measurement mode,
- Press SET button 3 seconds (trA Fo menu is displayed)
- By using UP-DOWN buttons find Pin menu.
- Press SET button (Pin ACt IUAE menu is displayed.)
- By using the UP-DOWN buttons find Pin CHA nGE menu. **Pin CHA nGE**
- By using UP-DOWN-SET button enter the old password
- By using UP-DOWN-SET button enter the new password
- By using UP-DOWN-SET button reenter the new password.
- Press SET button, Pin CHA nGE is displayed. Data is entered but is not activated yet. For activating the new data please follow the below steps).
- Press ESC button one by one until (SAU SEt yES) appears at the display.
- Press SET button when (SAU SEt yES) appears at the display. (When SAU SEt yES appears at the display, if you Press ESC button or choose "no" option instead of "yES" option, you quit from adjustment menu without saving new settings and device continues to work with previous settings).

Activating the user password:

This menu is used for activating the user password.
After the user password is activated, while the instant values are observed, user password is required in order to enter to the menu. If the wrong user password is entered, user can not enter to the menu.

Note: Factory default value of user password is "0000"

- Press SET button for 3 seconds (trA Fo menu is displayed)
- By using UP-DOWN buttons, find "Pin" menu.
- Press SET button ("Pin ACt IUAE" menu is displayed)
- Pin ACT IUAE**
- EE**
- Press SET button. First digit of the displayed value is blinking.
- Enter the blinking digit value by scrolling UP/DOWN buttons. Switch to the other digits by using SET button, use ESC button to go to previous digit. After you entered the last digit press SET button, "Pin Act of" is displayed. "on" can be selected by scrolling UP/DOWN buttons. (Data is entered but is not activated yet. For activating the new data please follow the below steps).
- Press ESC button one by one until "SAU E SEt yES" is displayed.
- Press SET button. When "SAU E SEt yES" is displayed, if you press ESC button or choose "no" option instead of "yES" option by using UP-DOWN buttons, new data will be cancelled and previous value will be activated.

POWMETER EPR-04 / EPR-04S

Serial Communication (Available only for EPR-04S)

EPR-04S has MODBUS RTU communication protocol which is optical isolated. All measured parameters can be transfer to the computer. Transformer ratios and communication parameters can be set. Saved demand and energy values can be reset.

Parameter Settings

Address Parameters : Value can be enter between 001-247.

Baud Rate Parameters : Value can be selected as 2400, 4800, 9600, 19200 and 38400 bps.

Parity Parameters : "no", "odd" and "EUEn" can be selected.

Press SET button for 3 seconds (trA Fo menu is displayed)

Bu using UP-DOWN buttons, find "RS-485" menu.

Press SET button ("Adr ESS" menu is displayed)

Find the menu which is programmed in Adr ESS / bAU d / PAnTy menus by scrolling UP-DOWN buttons.

Press SET button ("001 / 9600 / no" is displayed.)

Enter the value of related parameters by scrolling UP/DOWN buttons (001...247 / 2400...38400 / no, EUEn, odd).

Press SET button, Adr ESS / bAU d / PAnTy is displayed. (Data is entered but is not activated yet. For activating the new data please follow the below steps).

Press ESC button one by one until "SAU E SEt yES" is displayed.

Press SET button. When "SAU E SEt yES" is displayed, if you press ESC button or choose "no" option instead of "yES" option by using UP-DOWN buttons, new data will be cancelled and previous value will be activated.

MODBUS RTU PROTOCOL (Available only for EPR-04S)

Standart MODBUS RTU message is shown below.

T	ADDRESS 8 BIT	FUNCTION 8 BIT	DATA NX8BIT	CRCH	CRCL	T
---	------------------	-------------------	----------------	------	------	---

The T times corresponds to a time in which data must not be exchanged on the communication bus to allow the connected devices to recognize the end of one message and the beginning of another. This time must be at least 3.5 characters at the selected baud rate. Address range (1-247) is address of the connected device. The data field contains data sent to the slave by master or data sent to master by slave. CRC is a error check method by using MODBUS RTU protocol and consists of 2 bytes.

Available Modbus Function:

03H	READ HOLD REGISTERS
06H	PRESET SINGLE REGISTER
10H	PRESET MULTIPLE REGISTERS

Read Hold (03) function is used for reading measured values and set value. If any request of reading of a register, excepted mentioned in register table, device will send an error message. For example to read phase1 voltage by sending a message to the device.

01 03 00 00 00 02 XX XX
01 Device address
03 Function
00 MSB address
14 LSB address
00 Register number MSB
02 Register number LSB
XX CRC MSB
XX CRC LSB

Preset Single Register (06) function is used for writing the setting values, erasing the energy counter or resetting the min., max., demand values. Current transformers ratio can be set 0-2000, voltage transformer ratio can be set 1-40000. Min., Max. and Demand values can be only clear. If sent value is outside of this range device responds with an error message. i.e. Setting CT as 100;

01 06 80 02 00 64 XX XX
01 Device address
06 Function
80 MSB address
02 LSB address
00 Data MSB
64 Data LSB
XX CRC MSB
XX CRC LSB

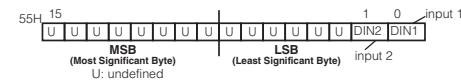
Preset Multiple Register(10H) is used to set more then one register at same time.

i.e. Setting CT as 100, Ut as 20.0;

01 10 80 00 00 02 04 00 C8 00 64 XX XX
01 Device Address
10 Function
80 MSB address
00 LSB address
00 Register number MSB
02 Register number LSB
04 Byte count
00 Data MSB
C8 Data LSB
00 Data MSB
64 Data LSB
XX CRC MSB
XX CRC LSB

Digital Inputs (Available only for EPM-04S)

Digital input are sent in 16 bit hexadecimal format as below:



If 12-48 V AC / DC is applied to In1 (Input 1), 0 (zero) bit of DIN register is set as "1". Otherwise, 0 (zero) bit is set as "0".

If 12-48 V AC / DC is applied to In2 (Input 2), 1st bit of DIN register is set as "1". Otherwise, 1st bit is set as "0".

The Parameters are sent in 32bit Hexadecimal format. For Example, 230.0V voltage will be sent as 000008FCH. Cosφ values shall be divided to 1000. 0.980 Cosφ will be sent as 000003D4H. Energy values are sent in 64 bytes. 1234567890123456789 Wh = AB 54 A9 8C EB 1F 0A D2 WH

Specifications for data cable;

- 24 AWG or thicker
- Less than 100 ohm/ km
- Nominal characteristic impedance at 100 kHz of 100 ohms
- Less than 60 pF/m mutual capacitance (between two wires in a pair)
- Less than 120 pF/m mutual pair capacitance (the capacitance between one wire and all others connected to earth).
- Twisted Pair

ERROR CODES (Available only for EPR-04S)

Slave device (EPR-04S) sends error message when receive any missing query. Error codes are given below.

01 Invalid Function: If any message except given above is used, then 01 error messages will be sent.

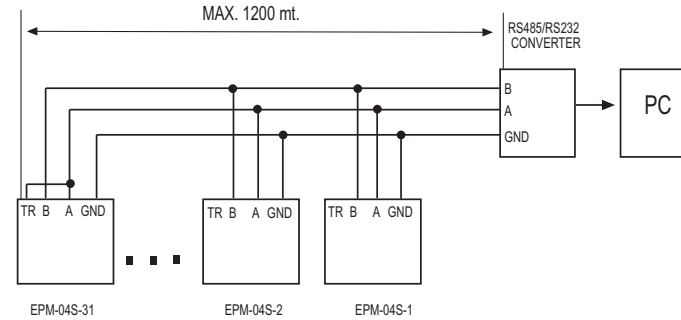
02 Invalid Register: Error 02 will be send when a reading of a register is requested, except the registers which mentioned in table.

03 Invalid data: If any different value is been set for dedicated Transformer values and nonzero for demand value, then error message 03 will be sent.

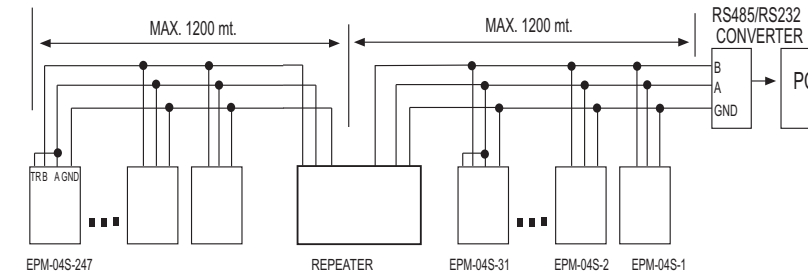
POWMETER EPR-04 / EPR-04S

EPM-04S COMPUTER CONNECTION

31 DEVICES CAN BE CONNECTED AT THE SAME LINE



MAX. 247 DEVICES CAN BE CONNECTED AT SAME LINE BY USING REPEATER.



Dimensions

